

# FC1 Folding Closure

The Australian Trellis Door Co has one of the most space efficient folding closures on the market. These cost-effective doors are constructed from aluminium making them lightweight yet stable and strong. Perfect for shopfront tenancies, reception areas and free standing kiosks in airports, shopping centres, hospitals, aged care facilities, hotels, clubs and banks.

## OPERATION

Manually operated the doors can be either single or biparting in operation, stacking to one side or two sides as required depending on side room clearances.

## DOOR PANEL OPTIONS

Polycarbonate: 3mm thick polycarbonate panels provide remarkable impact-resistance in a surprisingly light package reinforced with our nylon fixing profile.

Perforated Aluminium: 3mm thick aluminium sheeting which provides approximately 50% ventilation with 5mm diameter multi holes, reinforced with our nylon fixing profile.

## OPERATING SYSTEM

Our overhead track system is used. Single and double trolley rollers fitted with ball bearings are used and glide in an overhead track 41mm high x 35mm wide aluminium extrusion. The fitted tracks may have a radius of no less than 600mm (wide panel) or 407mm (slim panel) to suit curved applications. For elliptical curves, a template must be provided by the customer.

## PANEL SIZES & WEIGHTS

FC1 – Wide panel, is 285mm width overall (262mm centre hinge to centre hinge). Approx 12kg/M<sup>2</sup>  
FC1 – Slim panel, is 148mm width overall (128mm centre hinge to centre hinge). Approx 16kg/M<sup>2</sup>

## MAXIMUM SIZES

Our Folding Closures can be manufactured to a maximum height of 4,500mm and can span ANY width opening. For minimum heights, please discuss with your local ATDC representative.

## LOCKING

The leading posts will be provided with a lock and 2 key cylinders which can be operated from both sides. As a standard, the lock is supplied with a "builders key". Special-purpose cylinders are available (at an extra cost) to facilitate master keying. The master keying is the responsibility of the purchaser or customer. Floor mounted sockets with spring loaded dust caps are included.

## FINISH

Our standard finish is matt natural anodized aluminium. Powder coating to standard Duralloy colours available (at an extra cost).

**NOTE: Some special finishes may extend delivery period.**

## STACKING POCKET SIZES

See door pocket table overleaf or contact your ATDC representative for further information on your requirements.

## WORKS BY OTHERS

Preparation of openings to suit the FC1- Wide Panel or FC1- Slim Panel Folding Closures is by others. The overhead tracks will not be installed to non – structural supports. If required, provision of storage boxes, ceiling access panels and master – keying of locks are by others.

## OPTIONAL EXTRAS

Egress doors for emergency exits compliant to BCA requirements, can be incorporated into any closed folding closure that has a minimum height of 2250mm, operable with interior thumb turn or single down action handle, please consult an ATDC Technician for more info and optional pricing.

Tapered openings are available upon request.



**THE AUSTRALIAN  
TRELLIS DOOR CO.**

WEB: [www.trellisdoors.com.au](http://www.trellisdoors.com.au)

CALL US ON 1300 838 259  
EMAIL: [trellis@trellisdoors.com](mailto:trellis@trellisdoors.com)

# TECH Technical Information

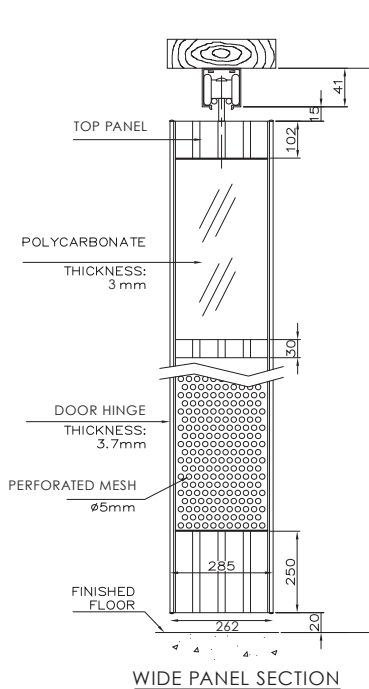
## STACKING POCKET SIZES

		FC 1 - SINGLE STACK FOLDING CLOSURE DOOR SPECIFICATIONS																											
Panel Width	Internal dimension reqd.	Opening width	1500	1750	2000	2250	2500	2750	3000	3250	3500	3750	4000	4250	4500	4750	5000	5250	5500	5750	6000	6500	7000	7500	8000	8500	9000	9500	10000
285	360	Min stacking	310	330	340	360	380	510	530	550	560	580	590	610	630	640	660	800	810	830	840	880	910	940	1110	1140	1170	1190	1220
148	228	dimension reqd	390	420	460	490	520	690	720	750	790	820	850	880	910	950	980	1150	1180	1210	1240	1310	1370	1440	1620	1690	1750	1810	1880

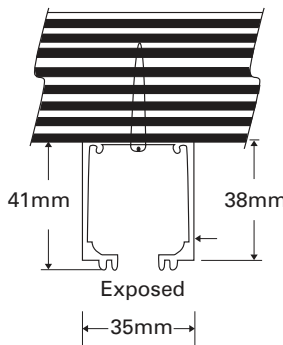
Please note stacking sizes above are indicative only. Please consult ATDC prior to finalising your stacking pocket.

		FC 1 - DOUBLE STACK FOLDING CLOSURE DOOR SPECIFICATIONS																											
Panel Width	Internal dimension reqd.	Opening width	3000	3250	3500	3750	4000	4250	4500	4750	5000	5250	5500	5750	6000	6500	7000	7500	8000	8500	9000	9500	10000	10500	11000	11500	12000	12500	13000
285	360	Min stacking	620	560	590	590	620	620	650	650	680	900	930	930	960	990	1020	1060	1090	1120	1120	1150	1180	1460	1490	1520	1520	1560	1590
148	228	dimension reqd	780	810	840	880	910	940	970	1000	1040	1330	1360	1390	1420	1490	1550	1620	1680	1740	1810	1870	1940	2260	2320	2390	2450	2520	2580

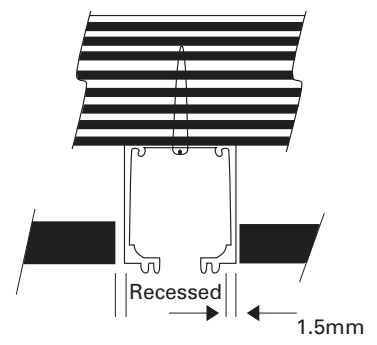
Please note stacking sizes above are indicative only. Please consult ATDC prior to finalising your stacking pocket.



WIDE PANEL SECTION

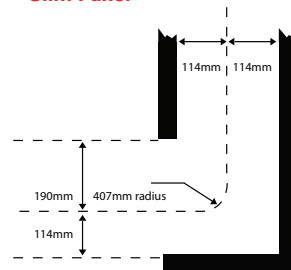


Exposed

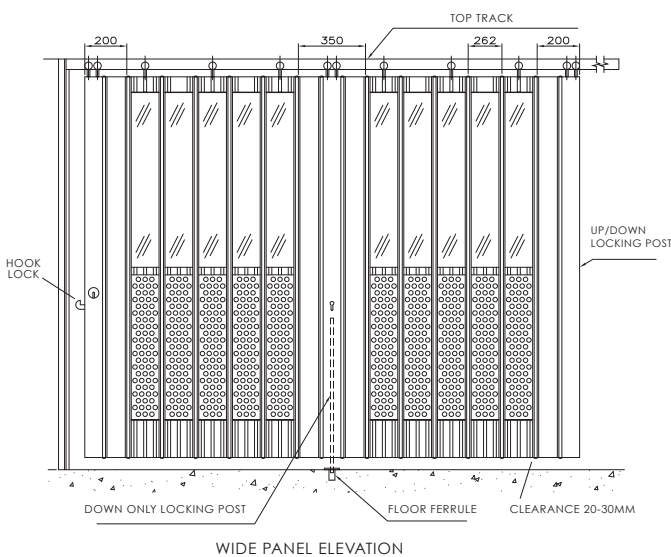
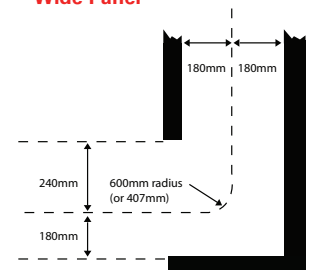


Recessed

Curving into Cupboard - Slim Panel

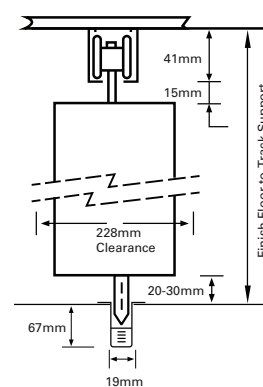


Curving into Cupboard - Wide Panel

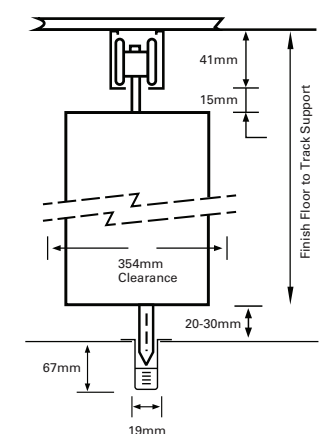


WIDE PANEL ELEVATION

Cross Section - Slim Panel



Cross Section - Wide Panel



**THE AUSTRALIAN  
TRELLIS DOOR CO.**

WEB: [www.trellisdoors.com.au](http://www.trellisdoors.com.au)

CALL US ON 1300 838 259  
EMAIL: [trellis@trellisdoors.com](mailto:trellis@trellisdoors.com)