

SINGLE-JOINT HINGES

Functional movement systems
for furniture in offices and public buildings.

QUALITY CERTIFICATE
LGAD


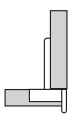



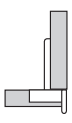

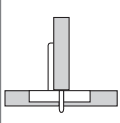

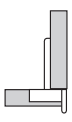

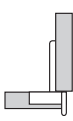
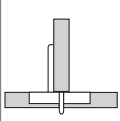

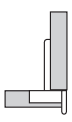
Reduced to the essentials.

For us, that means focusing on quality, design and function. Our range of hinges for furniture in offices and public buildings is the best example of that. We offer the ideal single-joint hinge for all applications. Its high-quality materials, excellent workmanship and top quality are just as important to us as its aesthetic design and reliable operation. Try it for yourself.

SINGLE-JOINT HINGES

Single-joint hinges for continuous or individual cabinet construction and for concealed applications.

Flexible. Functional. Decorative.

Opening angle		Product description	Full overlay	Half overlay	Inset	Twin application	Page
270° 180°		Single-joint hinge MB-6010 <ul style="list-style-type: none"> Extremely narrow reveals (3 mm) Tool-free clip fitting of door Direct reveal and height adjustment 				-	364
230° 180°		Single-joint hinge MB-6010 <ul style="list-style-type: none"> Narrow reveals (6/12.5 mm) Tool-free clip fitting of door Direct reveal and height adjustment 			-		366
270°		Single-joint hinge MB-8010 <ul style="list-style-type: none"> Narrow reveals (4 mm) Tool-free clip fitting of door Direct reveal and height adjustment 		-	-	-	368
230° 180°		Single-joint hinge MB-8010 <ul style="list-style-type: none"> Reveals (8/13.5 mm) Tool-free clip fitting of door Direct reveal and height adjustment 	-		-		370
270°		Single-joint hinge MB-8320 <ul style="list-style-type: none"> Reveals (4/8 mm) Tool-free clip fitting of door Height adjustment via a cam 		-	-	-	372

	Soft-close Pin <ul style="list-style-type: none"> Pneumatic damper 	374
	Technical information	376
	Installation technology	757

SINGLE-JOINT HINGE MB-60 10

For very narrow reveals



- 270° / 180° opening angle
- Reveal 3 mm
- Tool-free clip fitting of door
- Cup edge cover
- Side adjustment -2 mm
- Height adjustment ±2 mm via slots
- Visible joint
- Supplied with black cover caps, neutral
- Hinge arms and cups have to be ordered separately

ORDER INFORMATION

HINGE ARM

Door overlay		Designation	Material	Item No.
Full overlay (19 mm cabinet side)		MB-63 10	Zamak, nickel-plated	F15000009
Full overlay (16 mm cabinet side)		MB-62 10	Zamak, nickel-plated	F15000008
Inset		MB-61 10	Zamak, nickel-plated	F15000007

HINGE CUP

	Screw fixing	Press fitting
Hinge cup	F15000006	F15000021

ACCESSORIES

	Designation	Material	Item No.
	Decorative cover cap for use as glass door hinge. For 5 to 6 mm glass thicknesses. Set complete with plastic underlay and connecting screws.	Zamak, nickel-plated	F15000018
	Clothes protector, prevents soiling and damage through trapping. To be used with all single-joint hinges.	Plastic	F15000017
	Opening angle reduction clip, approx. 90°, for all single-joint hinges, except inset applications	-	F15000019
	Opening angle reduction clip, approx. 110°, for all single-joint hinges, except inset applications	-	F15000020
	Euro collar screw, nickel-plated, Ø 6.3 x 10.5 mm	-	F150145235
	Euro collar screw, nickel-plated, Ø 6.3 x 13.5 mm	-	F150145234

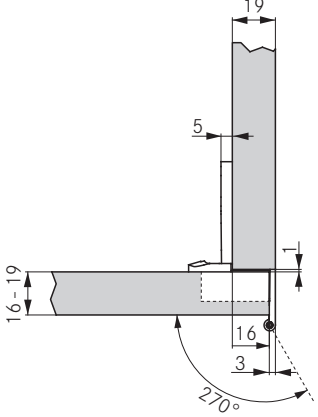
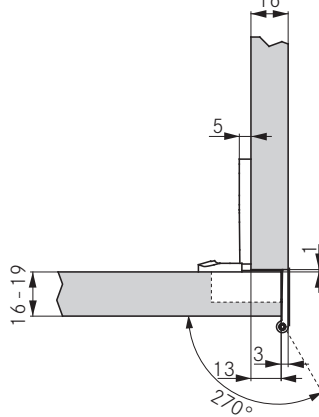
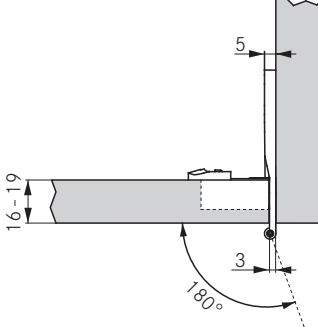
Soft-close Pin	332
Technical information	376

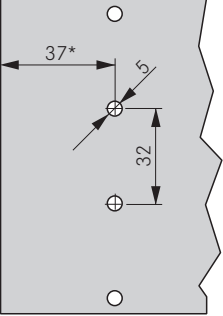
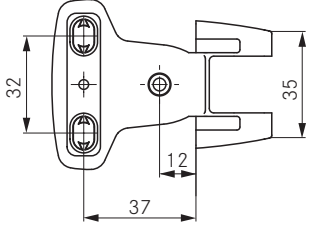
Installation technology	757
-------------------------	-----

--	--

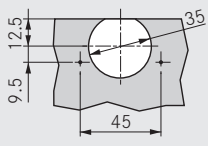
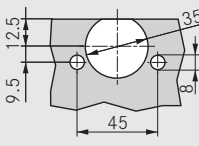
INSTALLATION INFORMATION

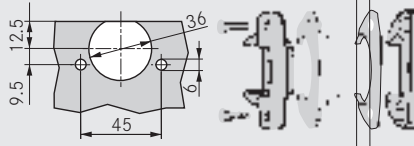
All dimensions in millimetres

MB-6310 full overlay (19 mm cabinet side)	MB-6210 full overlay (16 mm cabinet side)	MB-6110 inset
 <p>Door overlay 16</p> <p>Door protrusion 0 mm with 180° opening angle</p>	 <p>Door overlay 13</p> <p>Door protrusion 0 mm with 180° opening angle</p>	 <p>Door protrusion 3 mm with 180° opening angle</p>

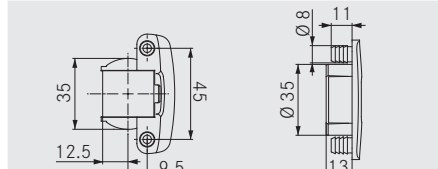
Position of holes for fixing hinge to cabinet	Hinge arm dimensions	
 <p>*=39 mm + door thickness with inset application, MB-6110</p>		

DRILLING PATTERNS

Version for screw fixing	Version for press fitting
	

Glass hole for decorative cover cap inst. set


CUP DIMENSIONS



SINGLE-JOINT HINGE MB-60 10

For narrow reveals



- 230° / 180° opening angle
- Reveal 6/12.5 mm
- Tool-free clip fitting of door
- Cup edge cover
- Side adjustment -2 mm
- Height adjustment ±2 mm via slots
- Visible joint
- Supplied with black cover caps, neutral
- With twin application, 2 cups required for one hinge arm
- Hinge arms and cups have to be ordered separately

ORDER INFORMATION

HINGE ARM

Door overlay		Designation	Material	Item No.
Full overlay (19 mm cabinet side)		MB-68 10	Zamak, nickel-plated	F150000012
Half overlay		MB-65 10	Zamak, nickel-plated	F150000010
Twin application		MB-66 10	Zamak, nickel-plated	F150000011

HINGE CUP

	Screw fixing	Press fitting
Hinge cup	F150000006	F150000021

ACCESSORIES

	Designation	Material	Item No.
	Decorative cover cap for use as glass door hinge. For 5 to 6 mm glass thicknesses. Set complete with plastic underlay and connecting screws.	Zamak, nickel-plated	F150000018
	Clothes protector, prevents soiling and damage through trapping. To be used with all single-joint hinges.	Plastic	F150000017
	Opening angle reduction clip, approx. 90°, for all single-joint hinges, except inset applications	-	F150000019
	Opening angle reduction clip, approx. 110°, for all single-joint hinges, except inset applications	-	F150000020
	Euro collar screw, nickel-plated, Ø 6.3 x 10.5 mm	-	F150145235
	Euro collar screw, nickel-plated, Ø 6.3 x 13.5 mm	-	F150145234

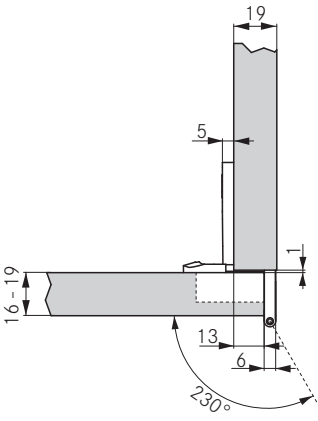
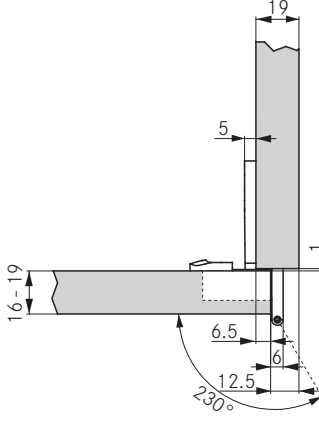
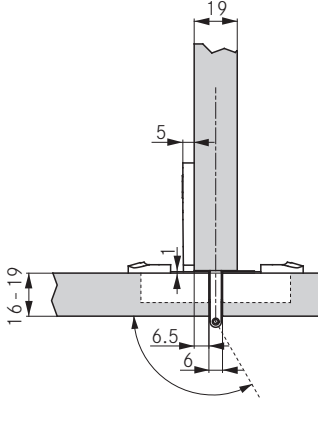
Soft-close Pin	332
Technical information	376

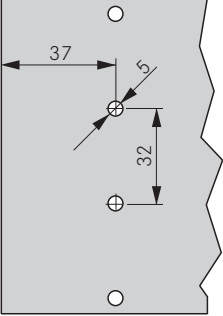
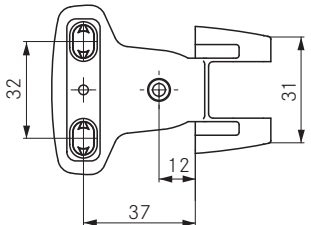
Installation technology	757
-------------------------	-----

--	--

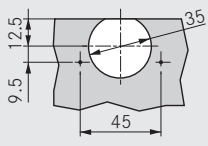
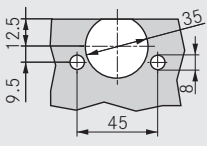
INSTALLATION INFORMATION

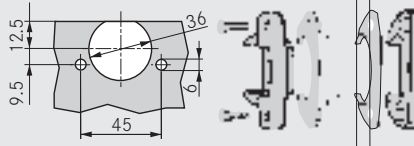
All dimensions in millimetres

MB-6810 full overlay (19 mm cabinet side)	MB-6510 half overlay	MB-6610 twin application
 <p>Door overlay 13</p> <p>Door protrusion 0 mm with 180° opening angle</p>	 <p>Door overlay 6.5</p> <p>Door protrusion 0 mm with 180° opening angle</p>	 <p>Door overlay 6.5</p> <p>Door protrusion 0 mm with 180° opening angle</p>

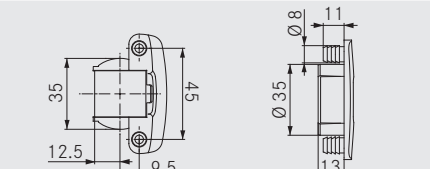
Position of holes for fixing hinge to cabinet	Hinge arm dimensions	
		

DRILLING PATTERNS

Version for screw fixing	Version for press fitting
	

Glass hole for decorative cover cap inst. set


CUP DIMENSIONS





SINGLE-JOINT HINGE MB-80 10

For narrow reveals, suitable for heavy doors



- 270° opening angle
- Reveal 4 mm
- Tool-free clip fitting of door
- Cup edge cover
- Side adjustment -2 mm
- Height adjustment ±2 mm via slots
- Visible joint
- Supplied with black cover caps, neutral
- Hinge arms and cups have to be ordered separately

ORDER INFORMATION

HINGE ARM

Door overlay		Designation	Material	Item No.
Full overlay (19 mm cabinet side)		MB-83 10	Zamak, nickel-plated	F150000014
Full overlay (16 mm cabinet side)		MB-82 10	Zamak, nickel-plated	F150000013

HINGE CUP

	Screw fixing	Press fitting
Hinge cup	F150000006	F150000021

ACCESSORIES

	Designation	Material	Item No.
	Decorative cover cap for use as glass door hinge. For 5 to 6 mm glass thicknesses. Set complete with plastic underlay and connecting screws.	Zamak, nickel-plated	F150000018
	Clothes protector, prevents soiling and damage through trapping. To be used with all single-joint hinges.	Plastic	F150000017
	Opening angle reduction clip, approx. 90°, for all single-joint hinges, except inset applications	-	F150000019
	Opening angle reduction clip, approx. 110°, for all single-joint hinges, except inset applications	-	F150000020
	Euro collar screw, nickel-plated, Ø 6.3 x 10.5 mm	-	F150145235
	Euro collar screw, nickel-plated, Ø 6.3 x 13.5 mm	-	F150145234

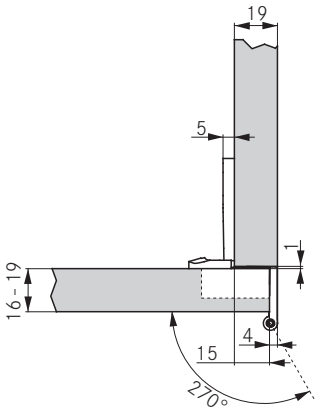
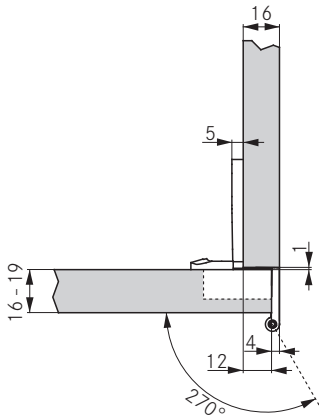
Soft-close Pin	332
Technical information	376

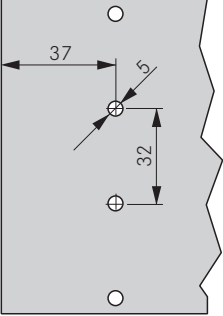
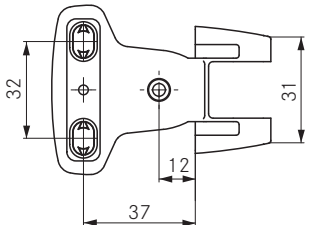
Installation technology	757
-------------------------	-----

--	--

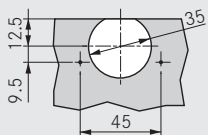
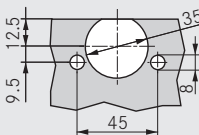
INSTALLATION INFORMATION

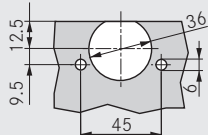
All dimensions in millimetres

MB-8310 full overlay (19 mm cabinet side)	MB-8210 full overlay (16 mm cabinet side)	
 <p>Door overlay 15</p> <p>Door protrusion 0 mm with 180° opening angle</p>	 <p>Door overlay 12</p> <p>Door protrusion 0 mm with 180° opening angle</p>	

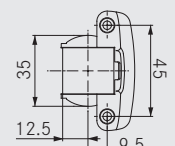
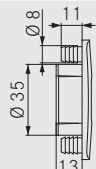
Position of holes for fixing hinge to cabinet	Hinge arm dimensions	
		

DRILLING PATTERNS

Version for screw fixing	Version for press fitting
	

Glass hole for decorative cover cap inst. set


CUP DIMENSIONS

SINGLE-JOINT HINGE MB-80 10

Suitable for heavy doors



- 270° opening angle
- Reveal 8/13.5 mm
- Tool-free clip fitting of door
- Cup edge cover
- Side adjustment -2 mm
- Height adjustment ±2 mm via slots
- Visible joint
- Supplied with black cover caps, neutral
- Hinge arms and cups have to be ordered separately
- With twin application, 2 cups are required for one hinge arm

ORDER INFORMATION

HINGE ARM

Door overlay		Designation	Material	Item No.
Half overlay		MB-85 10	Zamak, nickel-plated	F150000015
Twin application		MB-86 10	Zamak, nickel-plated	F150000016

HINGE CUP

	Screw fixing	Press fitting
Hinge cup	F150000006	F150000021

ACCESSORIES

	Designation	Material	Item No.
	Decorative cover cap for use as glass door hinge. For 5 to 6 mm glass thicknesses. Set complete with plastic underlay and connecting screws.	Zamak, nickel-plated	F150000018
	Clothes protector, prevents soiling and damage through trapping. To be used with all single-joint hinges.	Plastic	F150000017
	Opening angle reduction clip, approx. 90°, for all single-joint hinges, except inset applications	-	F150000019
	Opening angle reduction clip, approx. 110°, for all single-joint hinges, except inset applications	-	F150000020
	Euro collar screw, nickel-plated, Ø 6.3 x 10.5 mm	-	F150145235
	Euro collar screw, nickel-plated, Ø 6.3 x 13.5 mm	-	F150145234

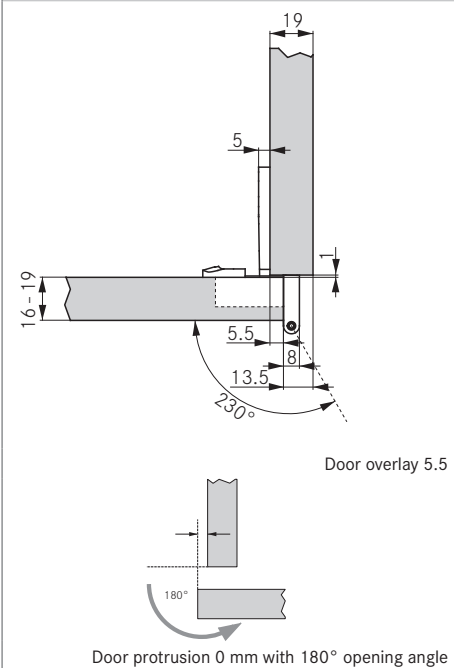
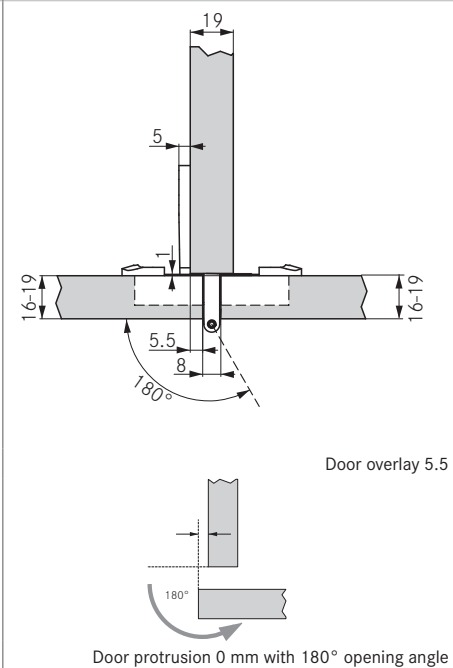
Soft-close Pin	332
Technical information	376

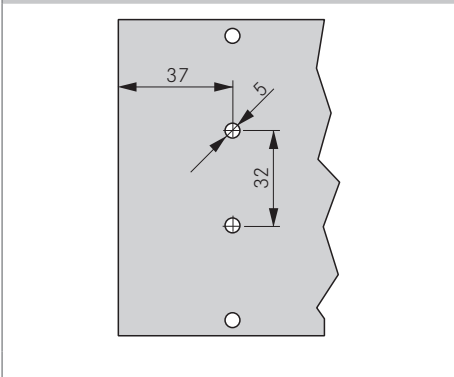
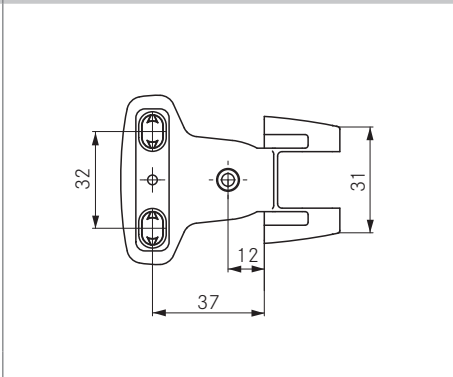
Installation technology	757
-------------------------	-----

--	--

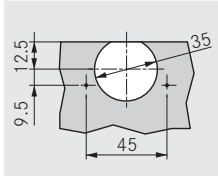
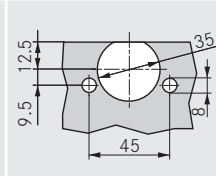
INSTALLATION INFORMATION

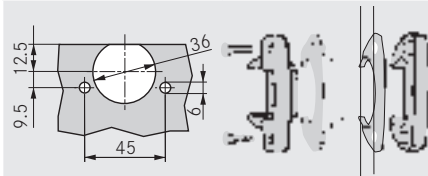
All dimensions in millimetres

MB-85 10 half overlay	MB-86 10 twin application	
 <p>Door overlay 5.5</p> <p>Door protrusion 0 mm with 180° opening angle</p>	 <p>Door overlay 5.5</p> <p>Door protrusion 0 mm with 180° opening angle</p>	

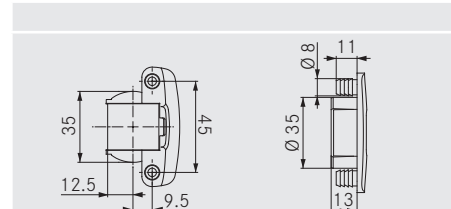
Position of holes for fixing hinge to cabinet	Hinge arm dimensions	
		

DRILLING PATTERNS

Version for screw fixing	Version for press fitting
	

Glass hole for decorative cover cap inst. set


CUP DIMENSIONS



SINGLE-JOINT HINGE MB-8320


With direct height adjustment



- 270° opening angle
- Reveal 4/8 mm
- Tool-free clip fitting of door
- Cup edge cover
- Side adjustment -2 mm
- Height adjustment ± 2 mm via cam
- Visible joint
- Supplied with black cover caps, neutral
- Hinge arms and cups have to be ordered separately

ORDER INFORMATION







HINGE ARM

Door overlay		Designation	Material	Item No.
Full overlay (19 mm cabinet side)		MB-8320	Zamak, nickel-plated	F150145167

HINGE CUP

	Screw fixing	Press fitting
Hinge cup	F150000006	F150000021

ACCESSORIES

	Designation	Material	Item No.
	Decorative cover cap for use as glass door hinge. For 5 to 6 mm glass thicknesses. Set complete with plastic underlay and connecting screws.	Zamak, nickel-plated	F150000018
	Clothes protector, prevents soiling and damage through trapping. To be used with all single-joint hinges.	Plastic	F150000017
	Opening angle reduction clip, approx. 90°, for all single-joint hinges, except inset applications	-	F150000019
	Opening angle reduction clip, approx. 110°, for all single-joint hinges, except inset applications	-	F150000020
	Euro collar screw, nickel-plated, \varnothing 6.3 x 10.5 mm	-	F150145235
	Euro collar screw, nickel-plated, \varnothing 6.3 x 13.5 mm	-	F150145234

Soft-close Pin	332
Technical information	376

Installation technology	757
-------------------------	-----

--	--

INSTALLATION INFORMATION

All dimensions in millimetres

2

MB-8320 full overlay (19 mm cabinet side)

Door overlay 15

Door protrusion 0 mm with 180° opening angle

Position of holes for fixing hinge to cabinet	Hinge arm dimensions	

DRILLING PATTERNS

Version for screw fixing	Version for press fitting

Glass hole for decorative cover cap inst. set

CUP DIMENSIONS

SOFT-CLOSE PIN

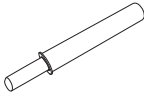
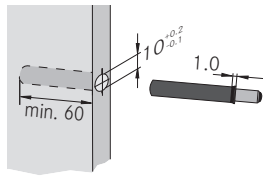
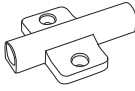
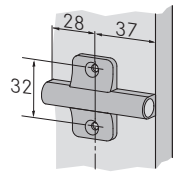
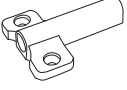
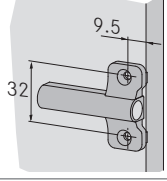
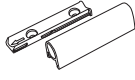
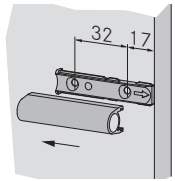
Pneumatic damper for doors with single-joint hinges



- Suitable for all door sizes, shapes and materials
- Can also be retrofitted
- For insertion into a drill hole or for fitting with adapter plate

ORDER INFORMATION

2

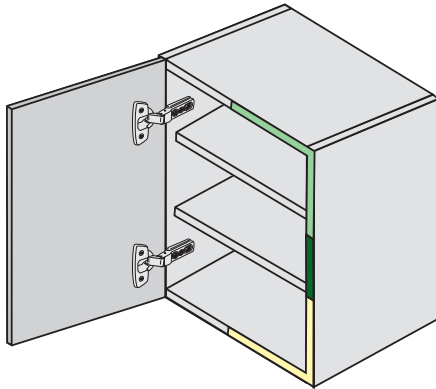
Soft-close Pin	Fitting into a drill hole	Item No.
<ul style="list-style-type: none"> • Hole drilled into cabinet front edge • For perfect appearance • Housing: plastic, anthracite • Piston: light grey 		F069066528
Adapter plate for line hole drilling	Euro screws	Item No.
<ul style="list-style-type: none"> • Suitable for hole spacing 28 mm and 37 mm • Fixing with Euro screws (6.3 x 13.5) • Plastic, light grey 		F069063310
Pin adapter Tipmatic Plus	Screw fixing	Item No.
<ul style="list-style-type: none"> • For quick retrofit installation • Fixing with wood screws (3.5 x 13) • Plastic, light grey 		F069073697
Pin linear adapter Tipmatic Plus	Screw fixing	Item No.
<ul style="list-style-type: none"> • Design solution - also in conjunction with inset doors • Fixing with wood screws (3.5 x 13) • Plastic, light grey 		F069073696

Soft-close Pin drilling jig 796

INSTALLATION INFORMATION

All dimensions in millimetres

Possible damper positions when fitting to a standard door



- 1
- 2
- 3

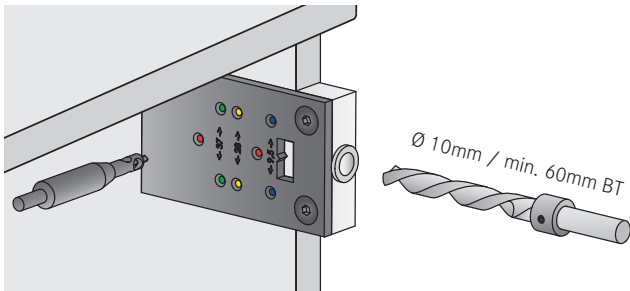
1 good position

2 optimum position

3 possible position

- For larger doors we recommend the installation of an additional damper.

Drilling jig for adapter plates and drill-in damper



The Grass drilling jig for Soft-close can be used for drilling all adapter plate versions and the drill-in damper

Note: Drill bits are not supplied!

2

LEGEND

BT Drilling depth

SINGLE-JOINT HINGES

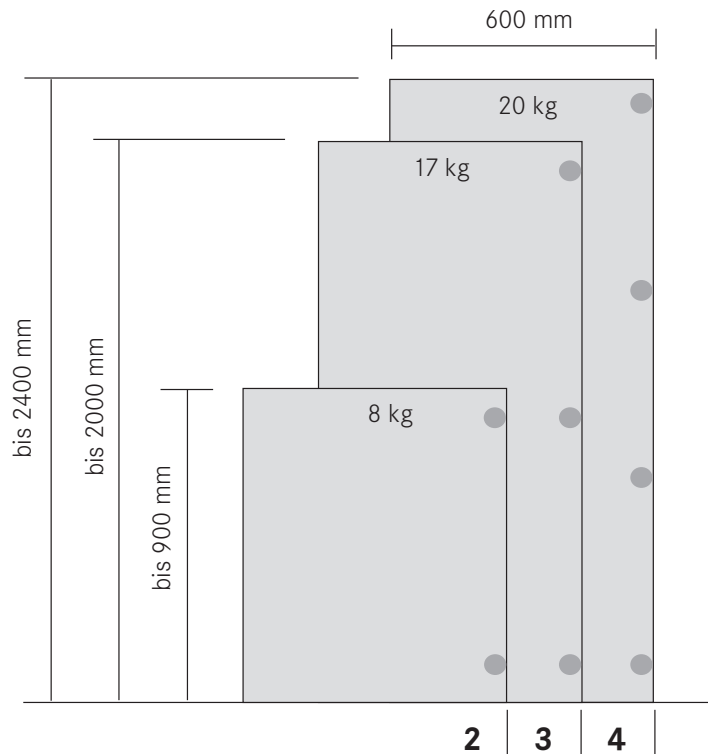
Technical information

NUMBER OF HINGES

Number of hinges

Applies to 19 mm thick chipboard.

Doors must not be greater in width than in height.



MOUNTING/DISMOUNTING

Mounting

Simply press in - cabinet and door are now firmly attached to each other.



Dismounting

The hinge connection can be released with a twist of a flat-blade screw driver. This means that unintentional dismounting is not possible.



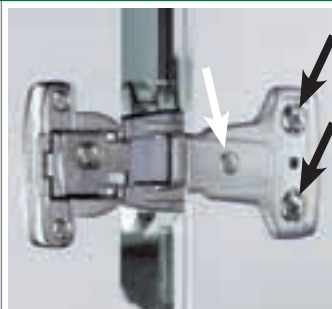
ARM FIXING

Screws for arm fixing


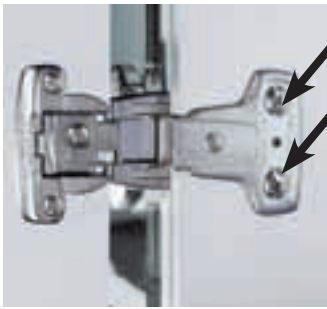
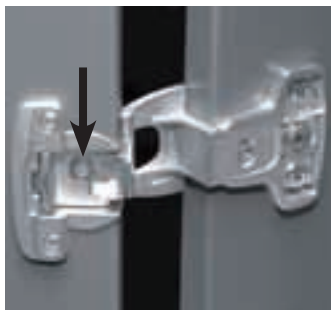
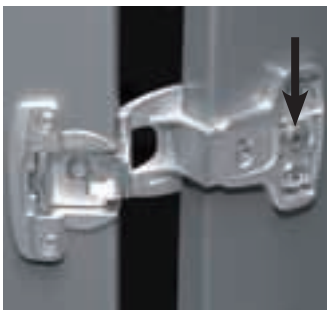
2 Euro collar screws
(6.3 x 10.5 mm or 6.3 x 13.5 mm)

1 chipboard screw 3.5 x 13 mm,
Poqidriv size 2

This screw must be fitted
for safety reasons.



ADJUSTMENTS

<p>Side adjustment MB-6010, MB-8010</p> <p>With this screw, the reveal can be directly adjusted. Adjustment range -2 mm.</p>		<p>Height adjustment MB-6010, MB-8010</p> <p>Adjustment via slots by breaking out the two pins below the Euro screws. Adjustment range +/-2 mm. Following adjustment, set 3rd screw.</p>	
<p>Side adjustment MB-8320</p> <p>With this screw, the reveal can be directly adjusted. Adjustment range -2 mm.</p>		<p>Direct height adjustment MB-8320</p> <p>Adjustment via screw. Adjustment range +/-2 mm. Release 3rd screw before adjustment; re-tighten following the adjustment.</p>	

2